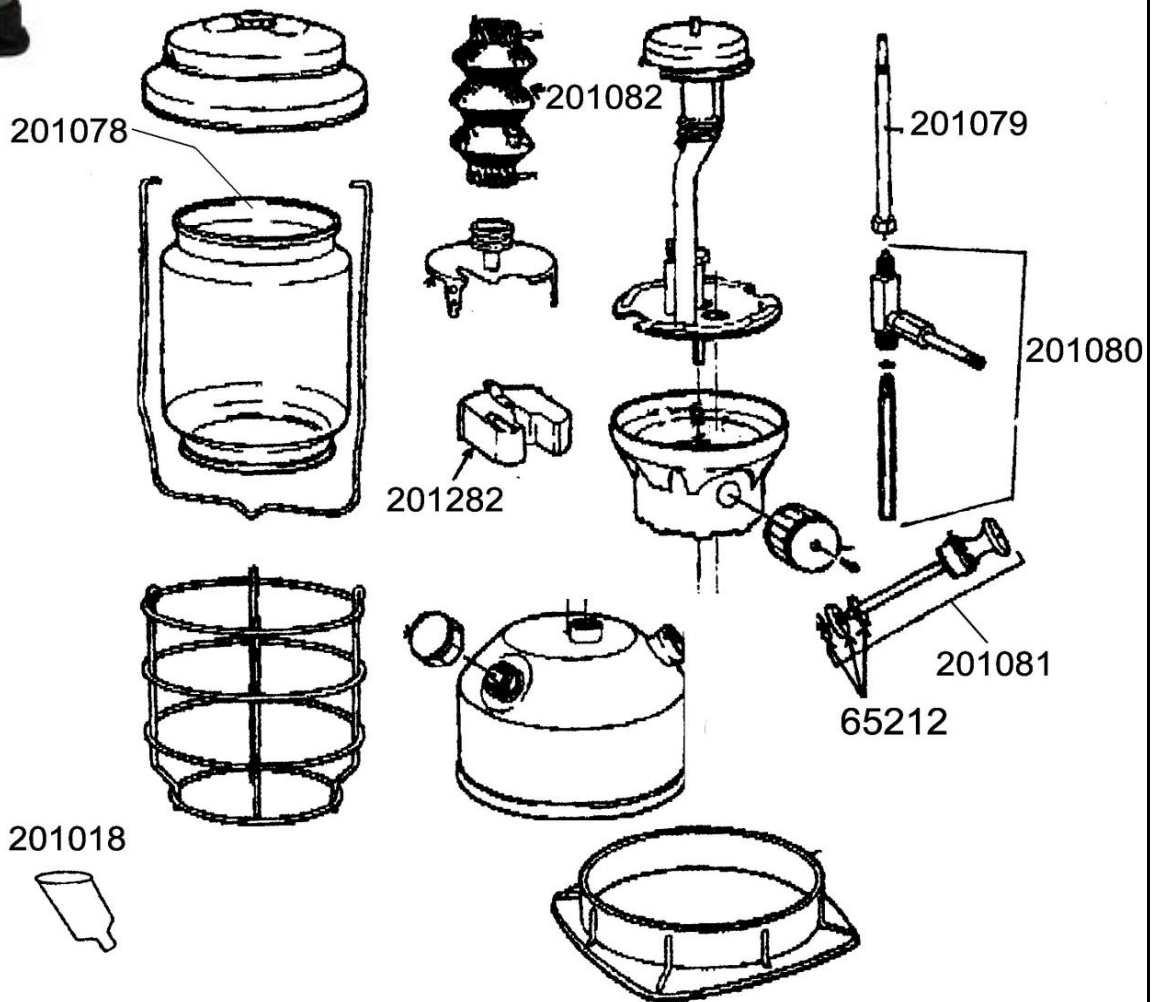


**UNLEADED FUEL LANTERN (2000)  
LANTERNE A ESSENCE  
"NORTHSTAR"**



SPARE PARTS REF.	POINTS	EN DESCRIPTIONS	FR DESCRIPTIONS
65212	90	PUMP CUP AND CLIP (BLISTER PKG)	JOINT PISTON POMPE (BLISTER)
201018	70	FILTER FUNNEL	ENTONNOIR
201078	140	GLOBE	VERRE
201079	120	GENERATOR	GENERATEUR
201080	140	VALVE ASSEMBLY	ROBINET
201081	110	PUMP PLUNGER	PLONGEUR DE POMPE
201082	90	MANTLE (X3)	MANCHON (X3)
201282	215	ELECTRONIC IGNITOR MODULE	MODULE ALLUMEUR ELECTRONIQUE