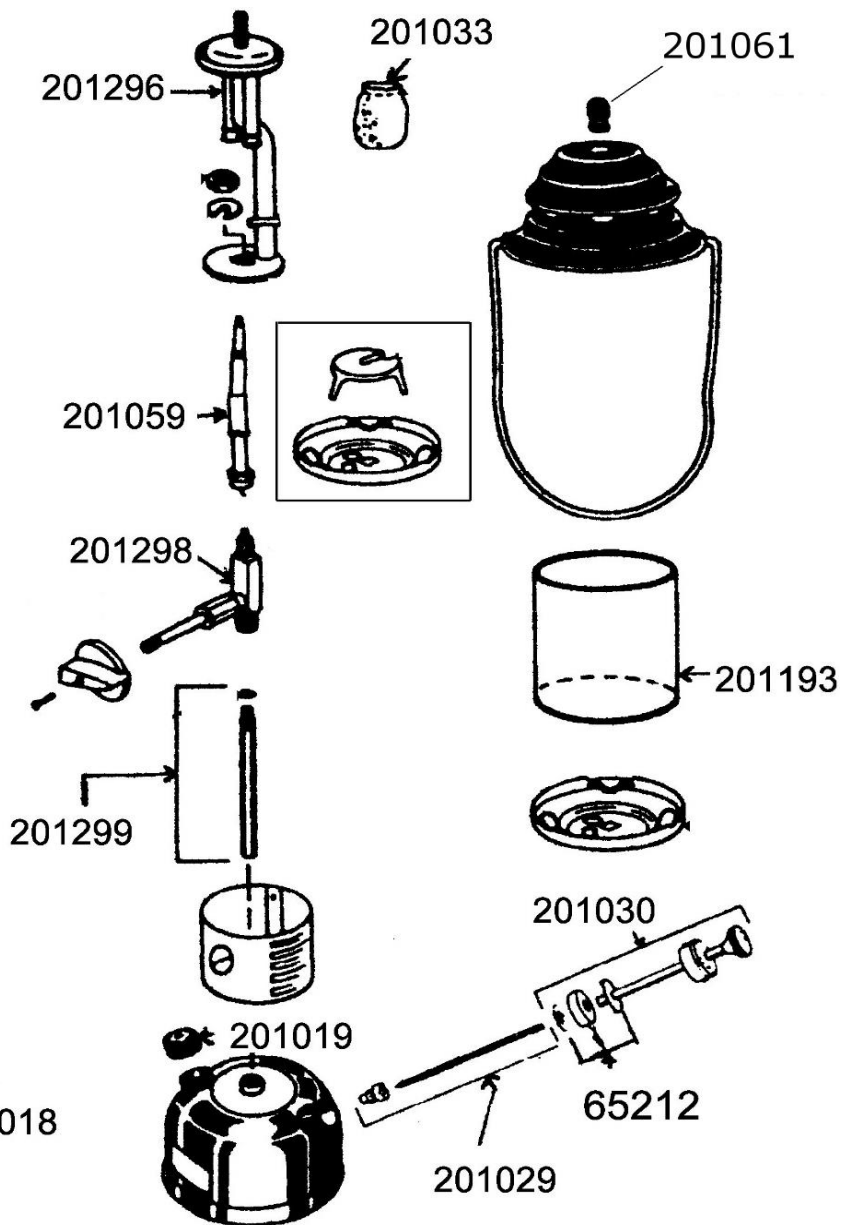


**DUAL FUEL POWERHOUSE 2
MANTLE LANTERN (295)
LANTERNE ESSENCE 2 MANCHONS**



SPARE PARTS REF.	POINTS	EN DESCRIPTIONS	FR DESCRIPTIONS
65212	90	PUMP CUP AND CLIP (BLISTER PKG)	JOINT PISTON POMPE (BLISTER)
201018	70	FILTER FUNNEL	ENTONNOIR
201019	70	FILLER CAP	BOUCHON DE REMPLISSAGE
201029	50	AIR STEM AND CHECK VALVE	ENSEMBLE CLAPET DE RETENUE
201030	110	PUMP PLUNGER (OLD&CURRENT MOD)	PLONGEUR POMPE (ANCIEN&ACTUEL)
201033	50	MANTLE (X2)	MANCHON (X2)
201059	120	GENERATOR	GENERATEUR
201061	50	CAP SCREW (X2)	ECROU CHAPEAU (X2)
201193	140	GLOBE DIAM.125	VERRE DIAM 125
201296	185	BURNER ASSEMBLY	ENSEMBLE BRULEUR
201298	100	VALVE	ROBINET
201299	50	FEED TUBE ASSEMBLY	ENSEMBLE TUBE ALIMENTATION